

API496C Chemical Trim Bottom Loading Valve

The API496C is a Chemical Trim (FFKM) API Adaptor that conforms to API RP1004. It has been designed to be compatible with various chemicals. It has been engineered to offer quality bottom loading through excellent performance and maximum safety. Supplied with a drain plug (1/2" BSPT), sightglass and sightglass blanking plate.

FFKM (a perfluoroelastomer commonly known as Ekraz or Kalrez) is one of the most chemically resistant materials available and is suitable for some of the harshest chemical compounds. FFKM is commonly used with aggressive, corrosive and reactive chemicals.

Key Features

- Can be coupled with the Liquip chemical coupler (API81XC) which reduces added equipment on tankers and vastly reduces leak points.
- Complies to API RP1004 – compatible with all API couplers.
- Ease of maintenance for reduced downtime.
- Set of mounts to match industry standard air interlock valves such as the Liquip AIV3.
- The bulk of internal components are stainless steel for increased strength and product service life.
- Ergonomically designed handle.
- Lightweight design – 4.8kg
- Borosilicate sightglass to visually check for retained product (Blank plate also provided).
- Flange is gramophone finish for improved sealing.
- 100mm bore all through for minimum pressure drop.
- 52mm poppet travel.
- Electrical continuity guaranteed by use of non-anodised nose cone.

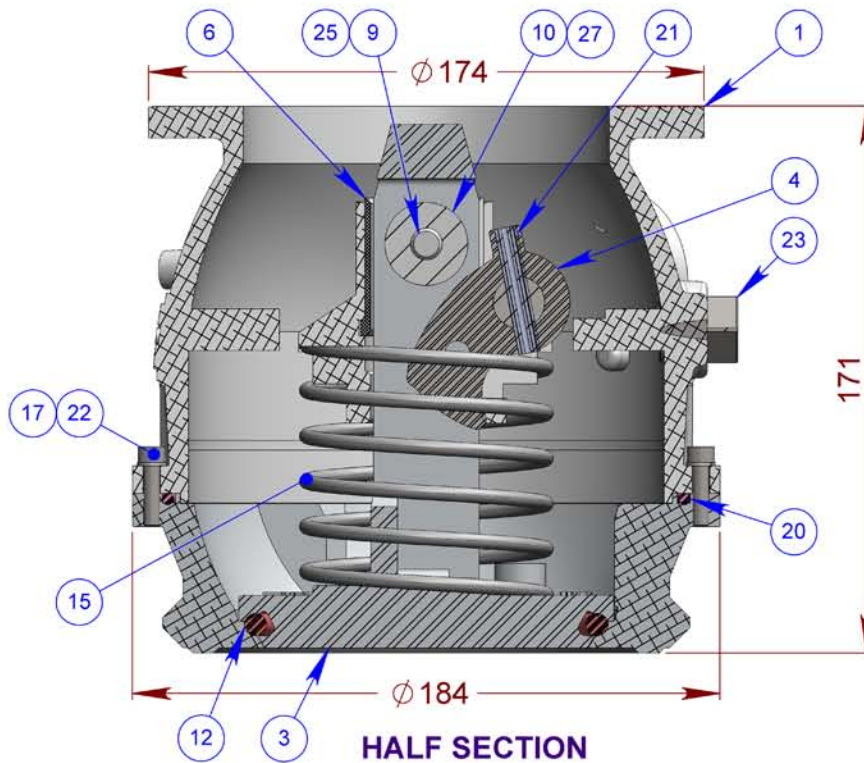


Specifications

Operating Temp. Range	-10°C to +60°C
Weight	4.8kg
Standards	API RP1004 (517kPa working pressure)
Chemical Compatibility	FFKM (Perfluoroelastomer) - Contact Liquip for product compatibility
Materials of Construction	<ul style="list-style-type: none"> • Aluminium body, nosecone and poppet. • Stainless steel shaft, cam & roller. • Perfluoroelastomer (FFKM) main product seals. • Teflon poppet bush.
Operation	The spring loaded poppet can be opened by the handle for discharge, or by an API coupler for bottom loading or unloading. For safety, the handle does not move when a coupler actuates the poppet. The handle is a "pull-up-to-open" design, which when used rotates an internal cam to open the poppet. The cam uses the over-centre principle to hold poppet in its open position while unloading. Dual o-ring seals on shaft prevent leaks.
Periodic Service	No set period. Service as required. <ul style="list-style-type: none"> • Inspect for seal wear/leakage on poppet & shaft. • Inspect handle return spring for spring set. • Inspect general condition of seal face & nosecone.
Mounting	Flange is 100mm TTMA standard. Mount so that when viewed from the front, the handle is on the right hand side and pointing down.

LIQUIP

API496C ADAPTOR



X200712

Issue: C

METERS - VALVES - VENTS - MANHOLES - PUMPS - HOSEREELS - OVERFILL PROTECTION - LOADING ARMS - ELECTRONIC DIPSTICKS



LIQUIP
P.O. Box 7049
Wetherill Park BC, 2164
Sydney NSW Australia
Phone: +612 9725 9000
Fax: +612 9725 1252

DISTRIBUTORS
See website for
Liquip branches
and Distributors

www.liquip.com

LIQUIP

API496C ADAPTOR



CLOSED



OPEN

ITEM NO.	PART NUMBER	DESCRIPTION	QTY	MATERIAL
1	API496-1	VALVE BODY, API DRY BREAK	1	ALUMINIUM
2	API490-2	NOSE CONE	1	ALUMINIUM
3	API490-3	POPPET VALVE DRY BREAK	1	ALUMINIUM
4	API490-4	CAM, OPENING	1	ST STEEL
5	API490-5	SHAFT OPERATING	1	ST STEEL
6	API490-6C	BUSH	1	PTFE
7	API490-16	BODY SIGHT GLASS	1	ALUMINIUM
8	API490-17	HANDLE, ACTUATING	1	ALUMINIUM
9	API490-18	PIN FOR ROLLER	1	ST STEEL
10	API490-19	ROLLER	1	ST STEEL
11	API490-21	BLANK PLATE	1	ALUMINIUM
12	0289K	O-RING SPECIAL	1	PERFLUOROELASTOMER (FFKM)
13	0235K	O-RING SPECIAL	2	PERFLUOROELASTOMER (FFKM)
14	4647K	O-RING SPECIAL	3	PERFLUOROELASTOMER (FFKM)
15	6168	SPRING	1	ST STEEL
16	5725	BALL INDICATOR	1	POLYPROPYLENE
17	6498	WASHER SPRING	10	Z/P STEEL
18	7874	SIGHTGLASS	2	BOROSILICATE
19	6173	RETURN SPRING	1	ST STEEL
20	0155	O-RING	1	FLUOROELASTOMER (FKM)
21	4060	SPIROL PIN	2	ST STEEL
22	6502	CAPSCREW METRIC	10	Z/P STEEL
23	0636	PLUG BSP HEX	1	ST STEEL
24	55074	CIRCLIP INTERNAL	2	ST STEEL
25	PURCHASED	CIRCLIP EXTERNAL	2	ST STEEL
26	PURCHASED	CAPSCREW METRIC	2	Z/P STEEL
27	PURCHASED	WASHER FLAT	2	ST STEEL

X200712

Issue: C

METERS - VALVES - VENTS - MANHOLES - PUMPS - HOSEREELS - OVERFILL PROTECTION - LOADING ARMS - ELECTRONIC DIPSTICKS



LIQUIP
P.O. Box 7049
Wetherill Park BC, 2164
Sydney NSW Australia
Phone: +612 9725 9000
Fax: +612 9725 1252

DISTRIBUTORS
See website for
Liquip branches
and Distributors

www.liquip.com